



Landfills across the state are filling up with Freedom Foundation “opt-out” mailers

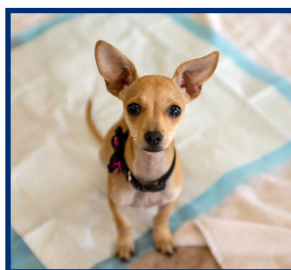
Repurpose those pesky mailers with these CSEA junk mail hacks:



Shred the mailers for use in packing/shipping



Roll the mailers into tubes for a DIY fire-starter



Housebreaking your puppy? Place mailers near the door and top with a layer of paper towels for a cheap DIY pee-pad



Want cleaner cages for your bird, hamster or rabbit? Line the cage with mailers to collect droppings



Cut out images for use in a scrapbook or as a gift-tag



Retro fun for kids; paper airplanes! (see back for step-by-step guide!)



Cool off with an old-timey accordion fan. (see back for step-by-step guide!)



Craft a junk box (see back for step-by-step guide!)

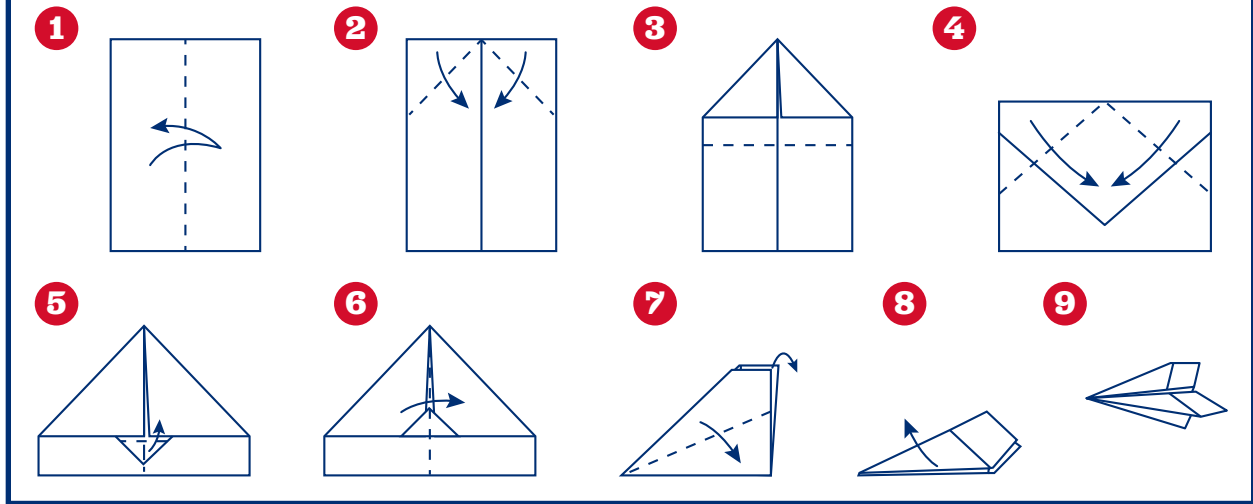
Share how you repurpose FF mailers:

@CSEALocal1000 @cseany1000

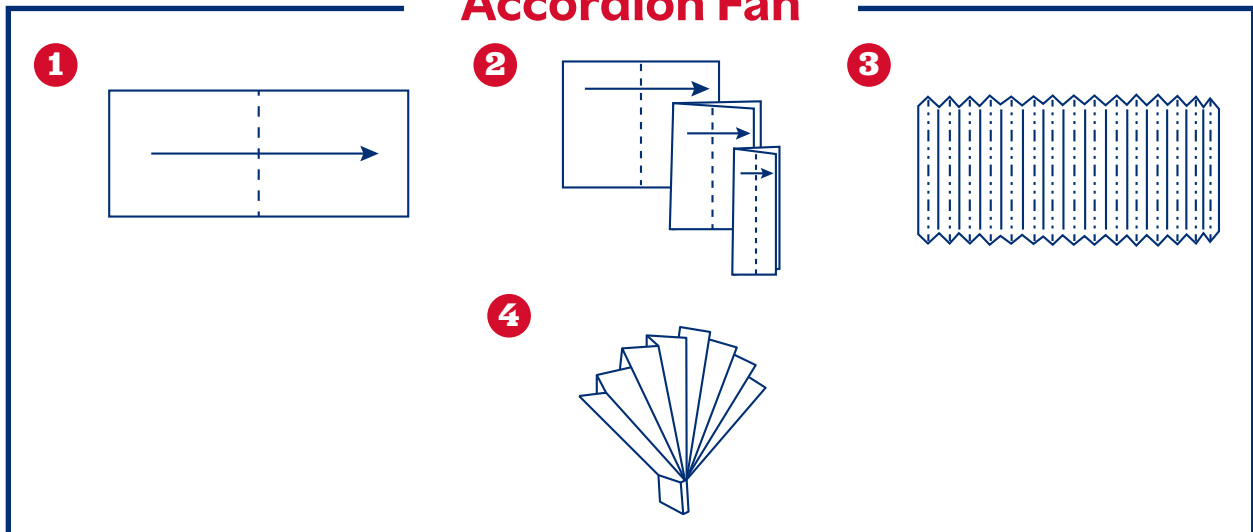
#FForigami #UnionStrong



Paper Airplane



Accordion Fan



Junk Box

